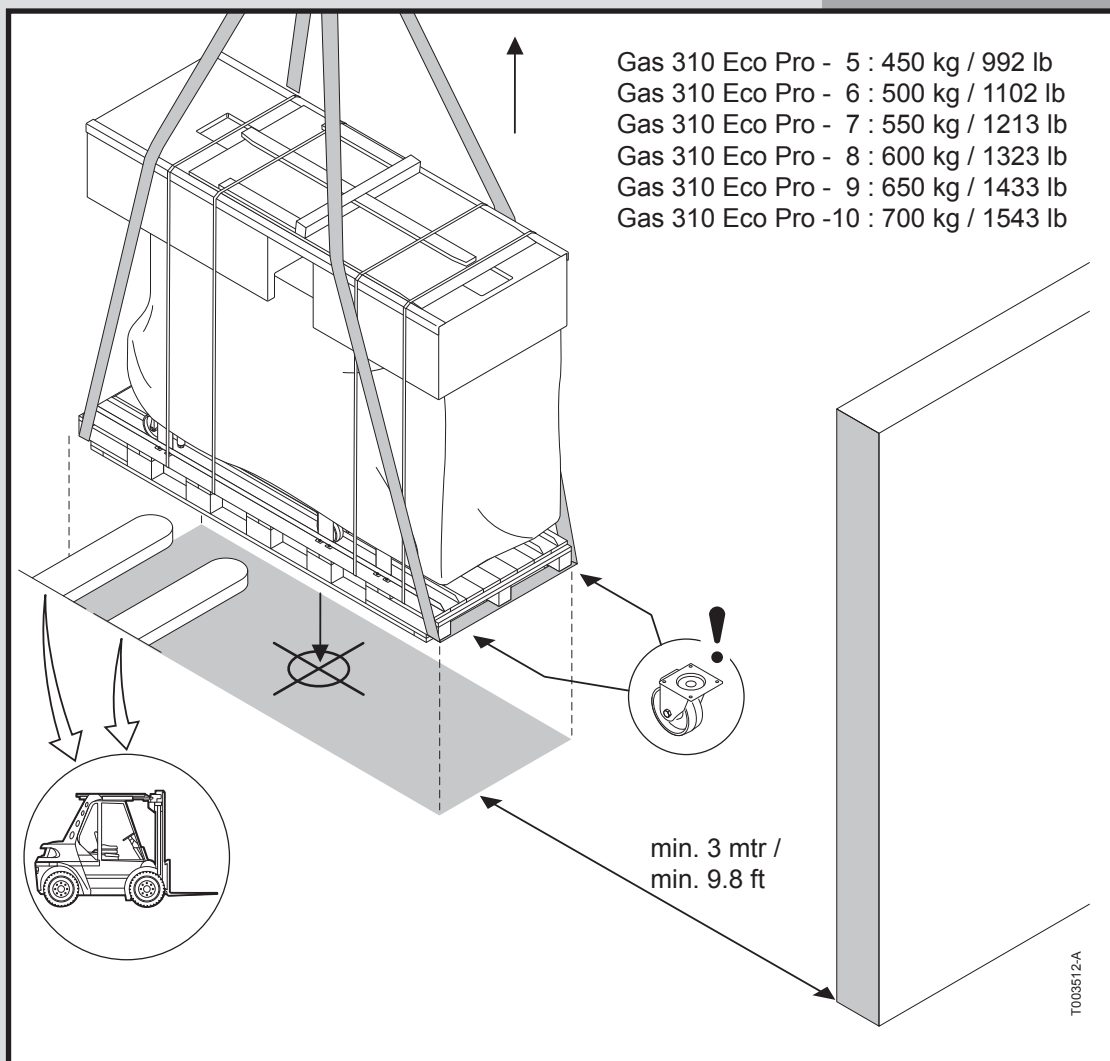


Montage instructie
Assembly instructions
Instructions de montage
Montageanweisung
Instrucciones para el montaje
Istruzioni di montaggio

Hijzen / uitpakken / plaatsen
Lifting / unpacking / positioning
Hisser / déballer / positionner
Heben / auspacken/ aufstellen
Elevación / desembalaje
/ posicionamiento
Sollevamento / spaccettamento /
posizionamento



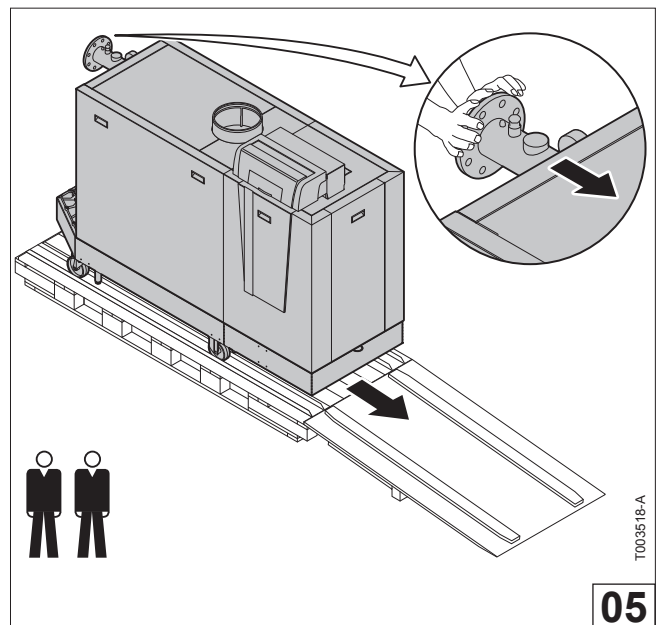
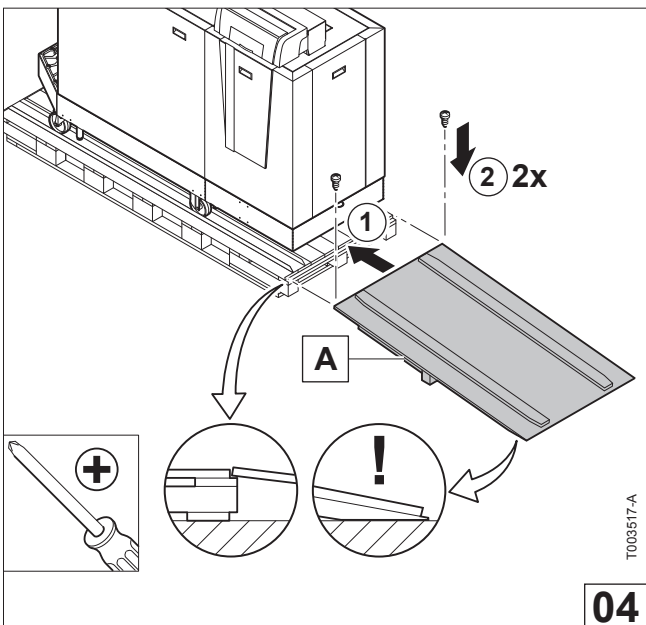
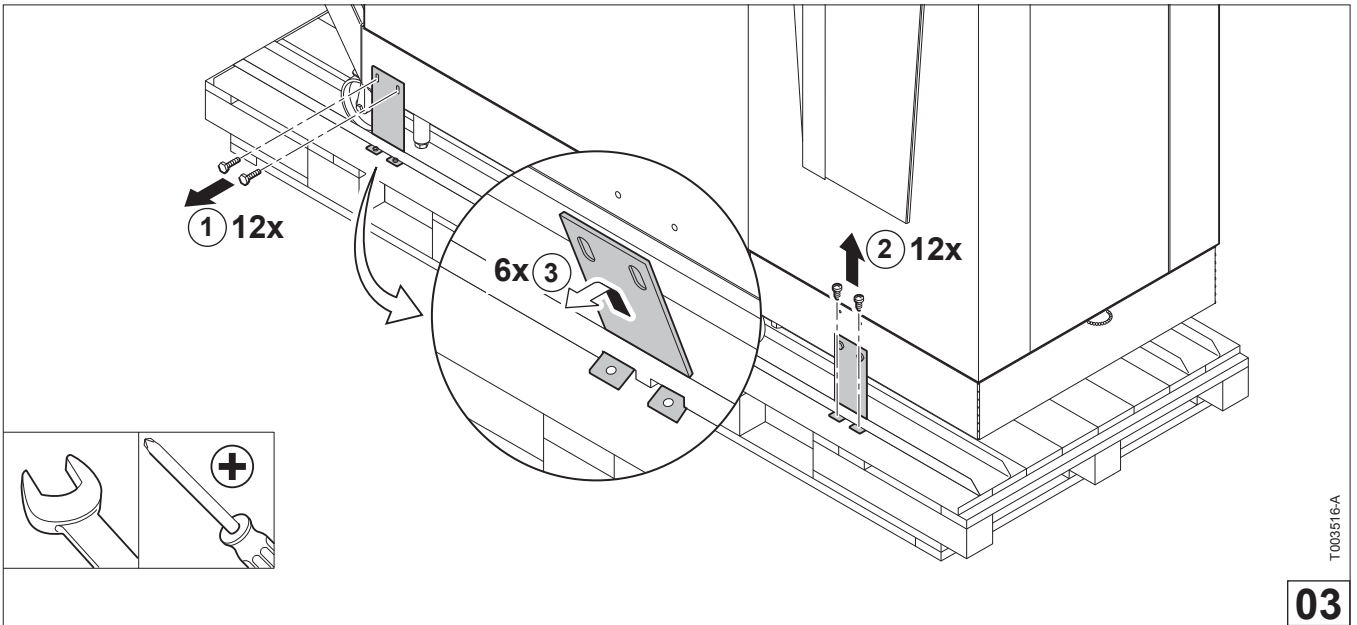
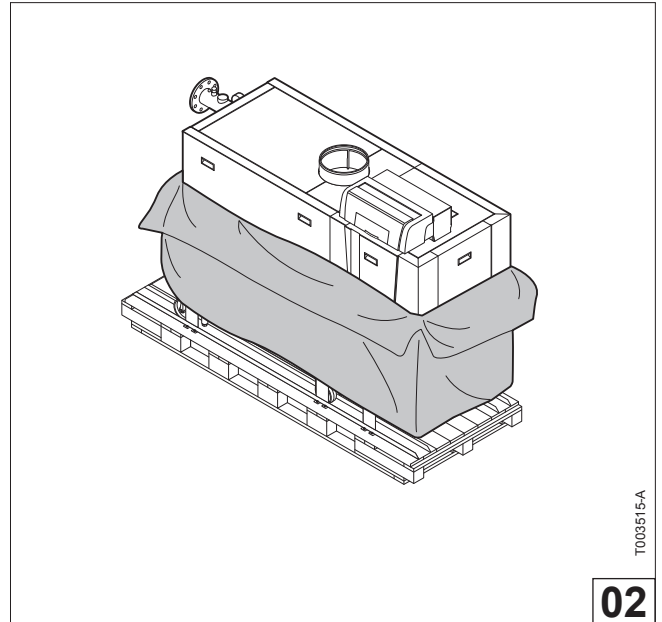
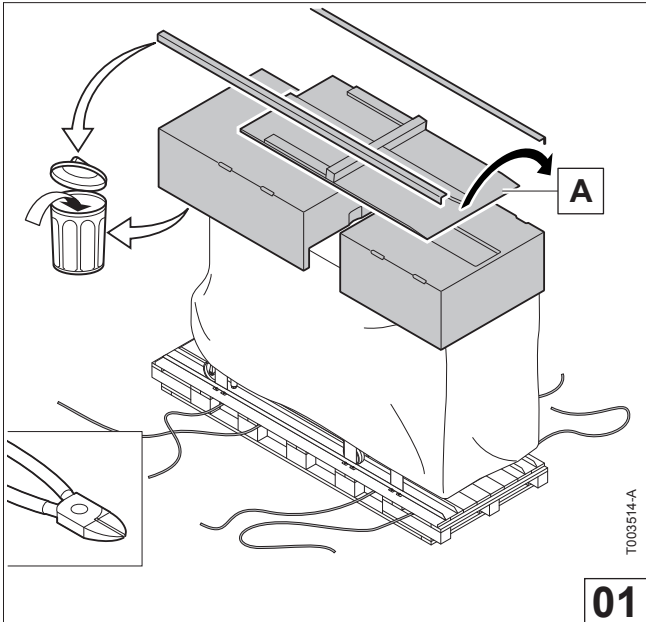
Warning

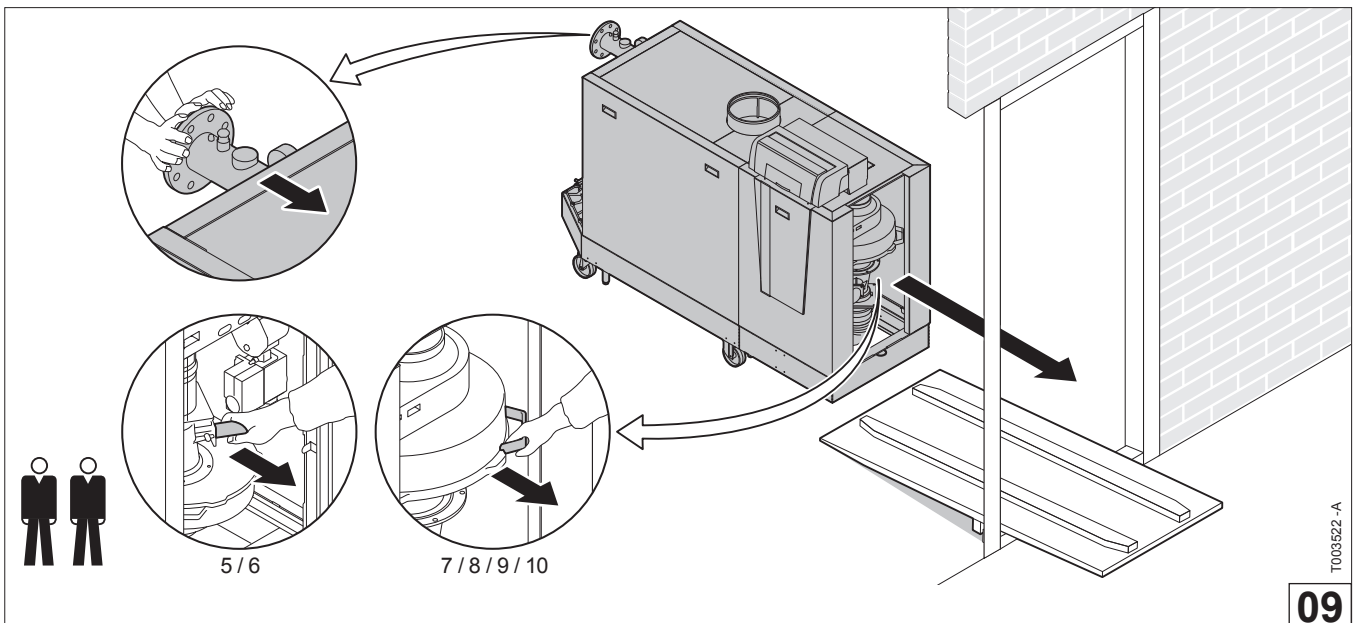
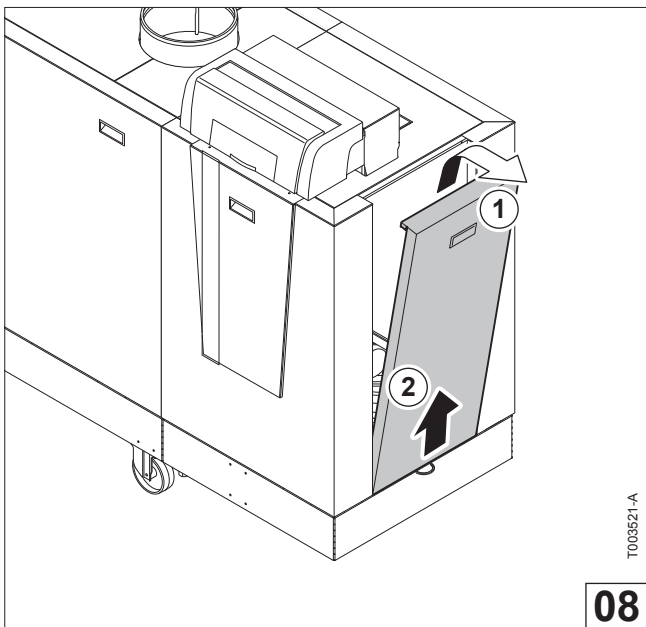
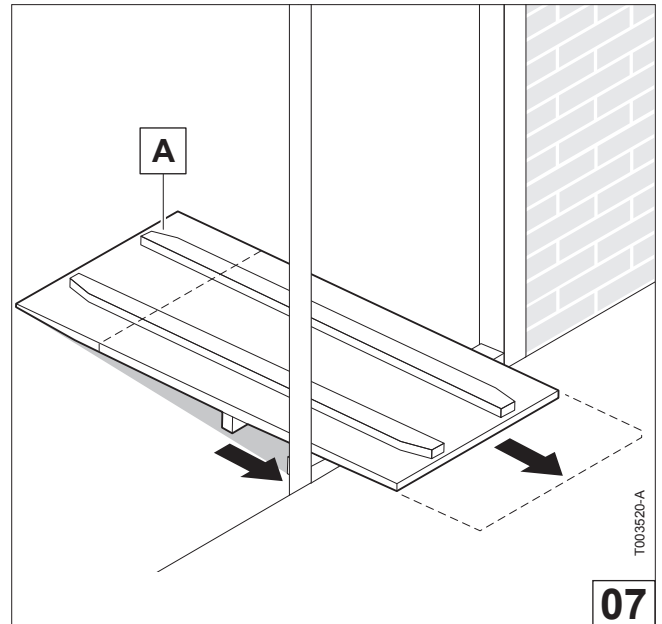
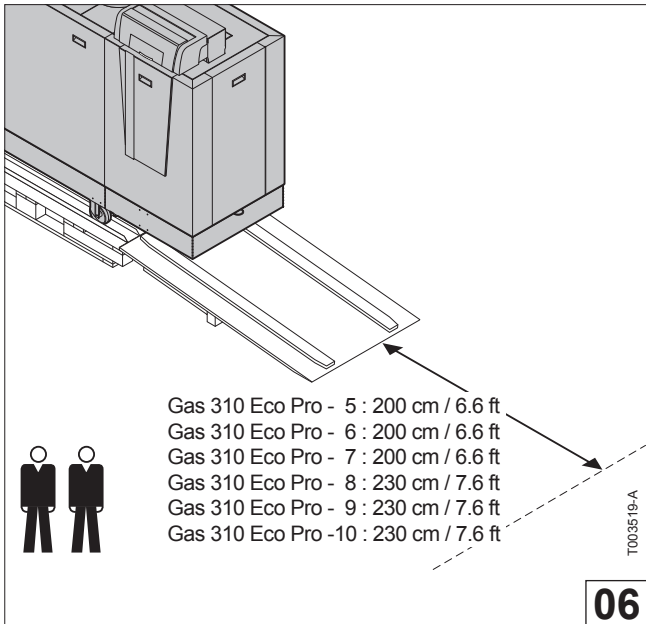
Before installing, first read the installation & operating manual.

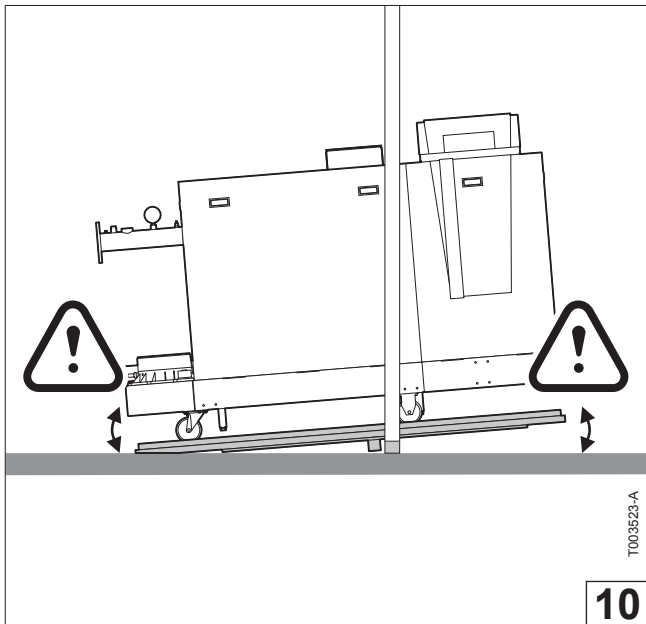


Attention

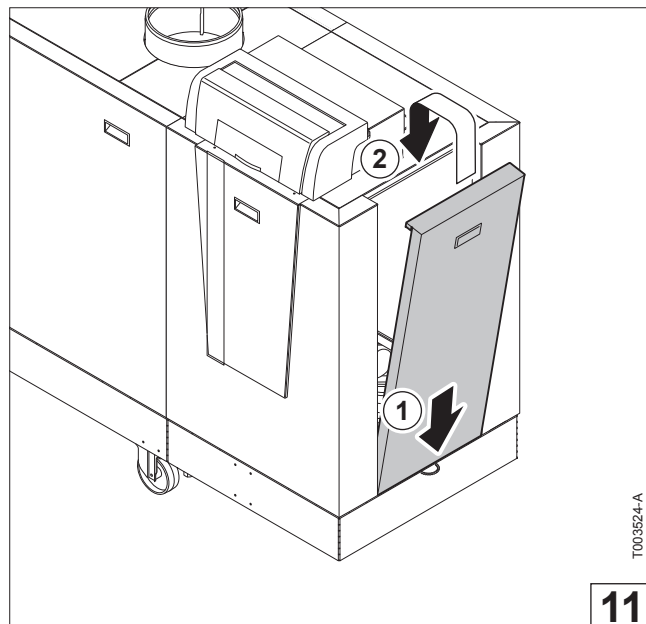
Avant installer, lisez la notice installation et d'utilisation.



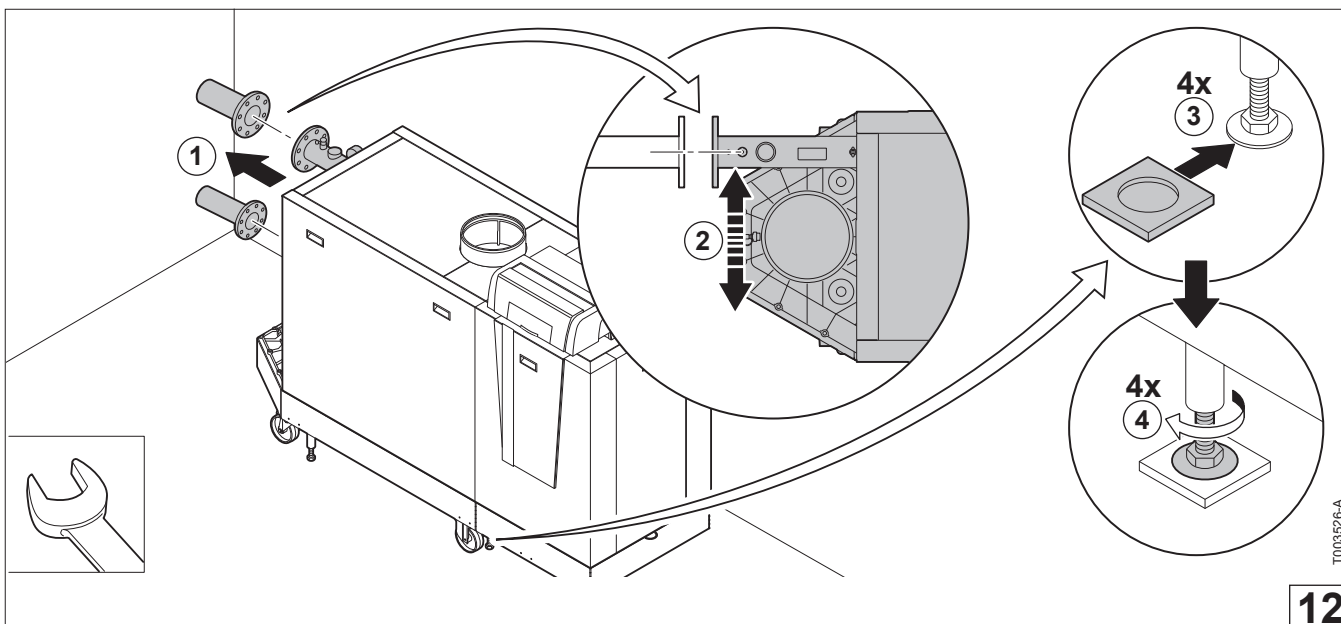




10



11



12



NL LET OP: Kettle niet zijdelings belasten nadat de stelbouten zijn uitgedraaid.

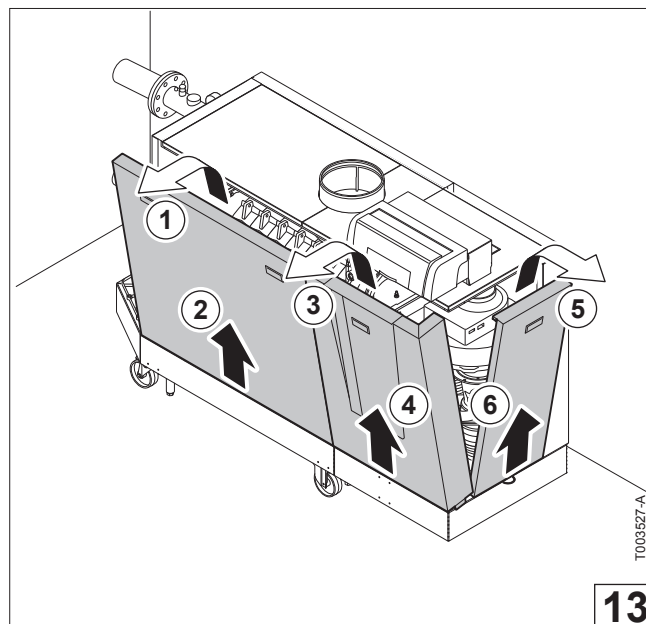
GB ATTENTION: Don't move boiler sideways after fitted jacking bolts are unscrewed.

FR ATTENTION: Ne pas charger les chaudière latéral après les boulons de réglages sont dévisser.

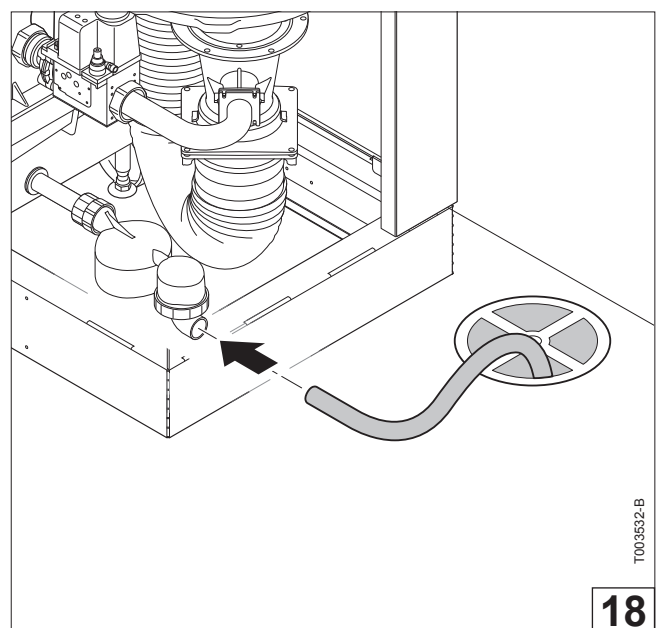
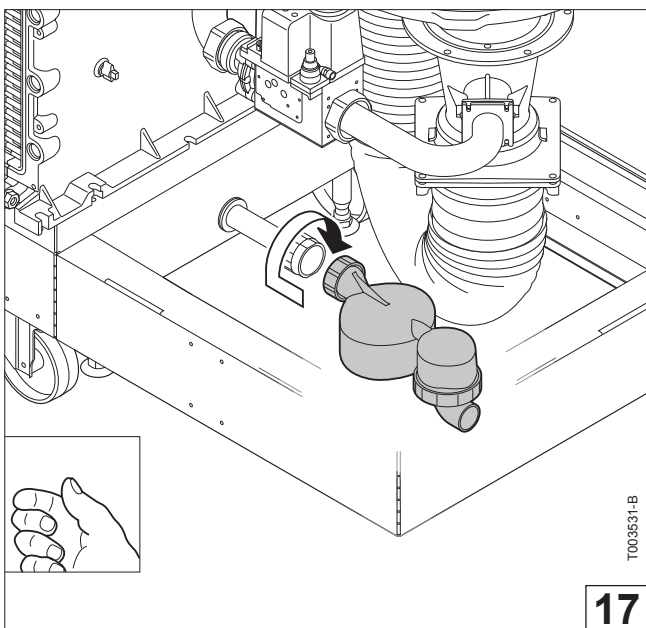
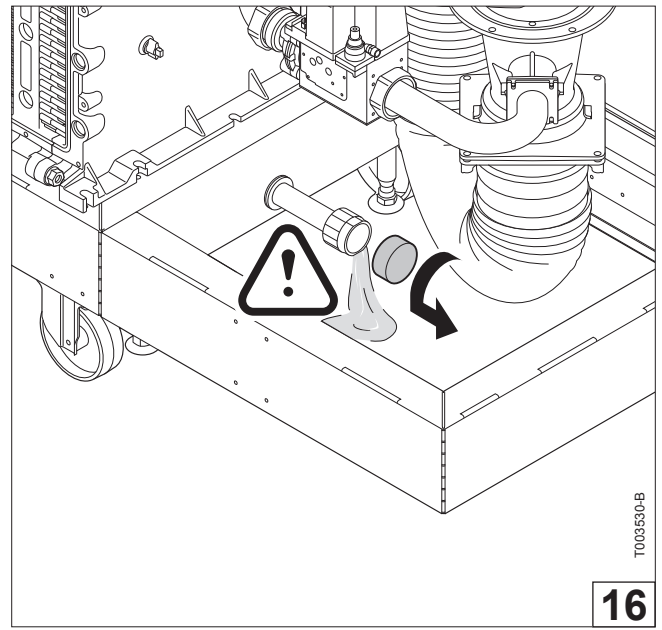
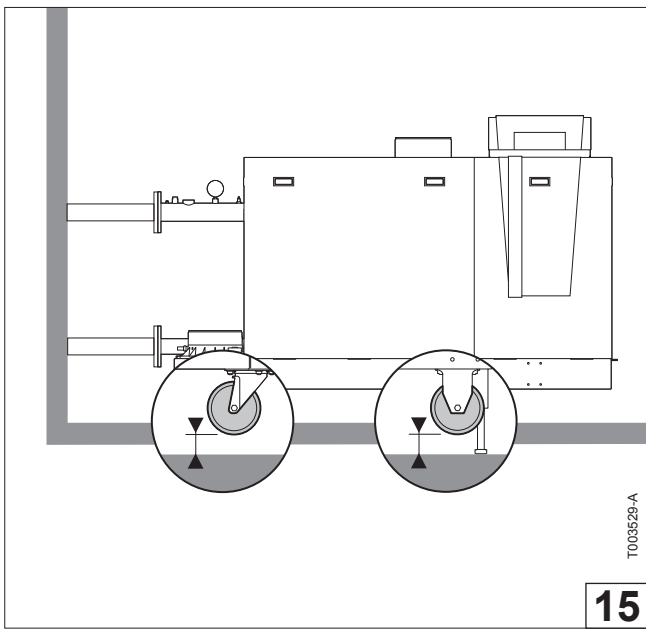
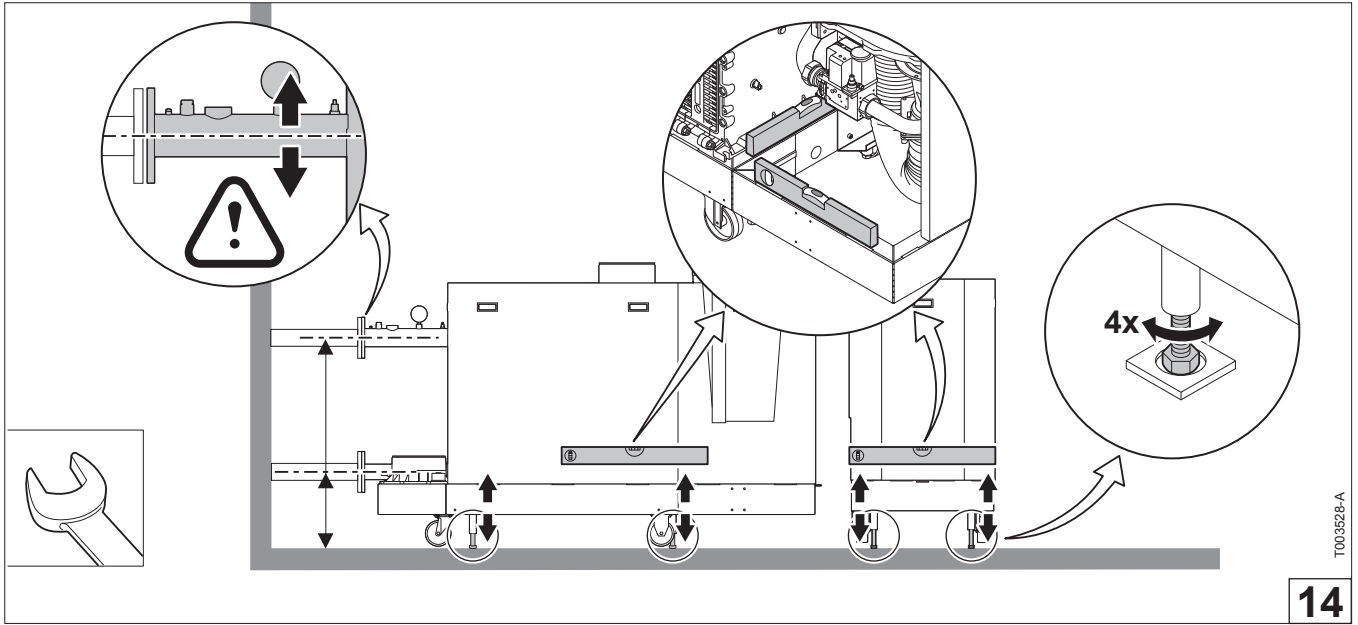
DE ACHTUNG: Kessel nicht seitlich belasten wenn die Stellbolzen ausgedreht sind.

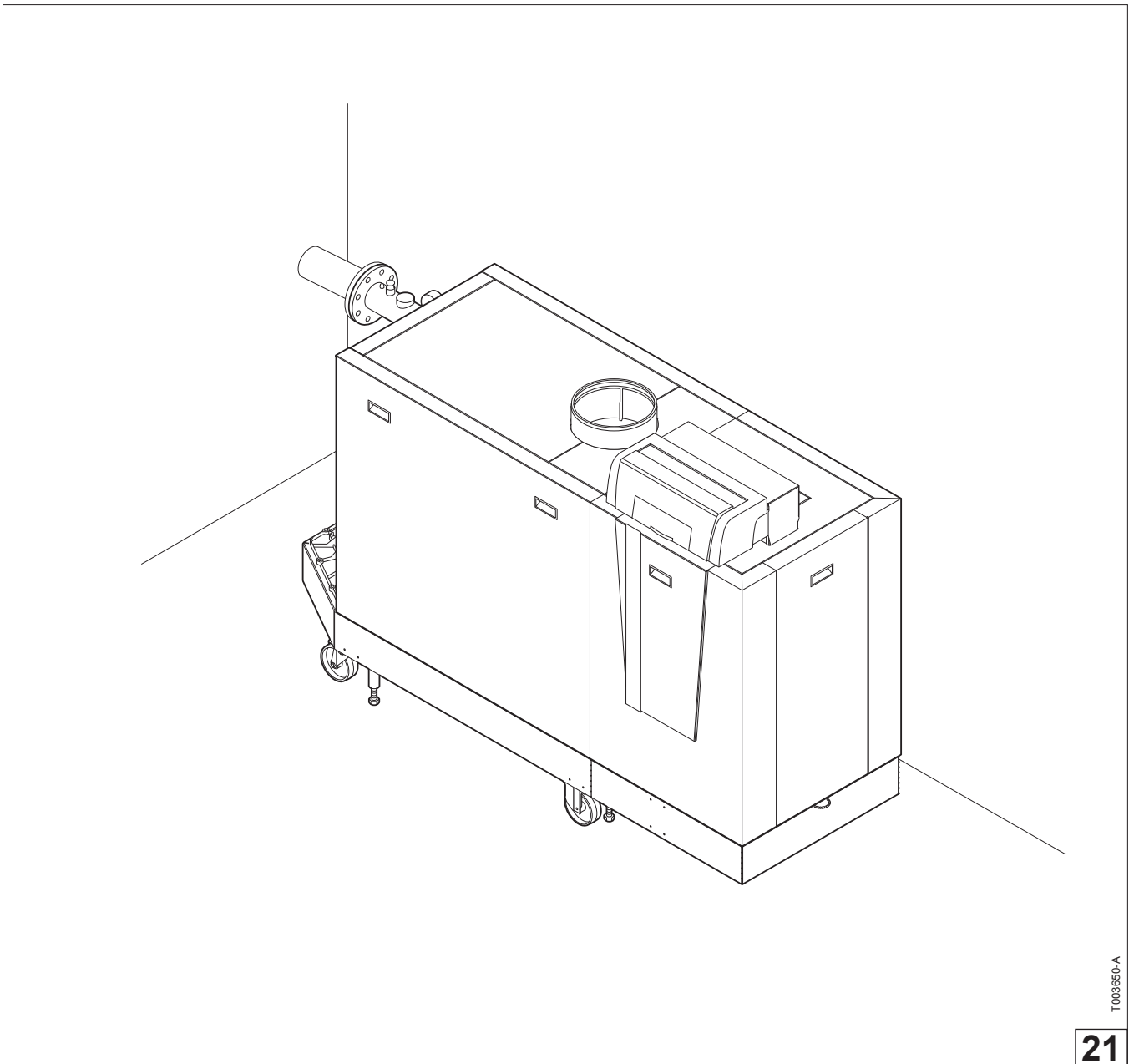
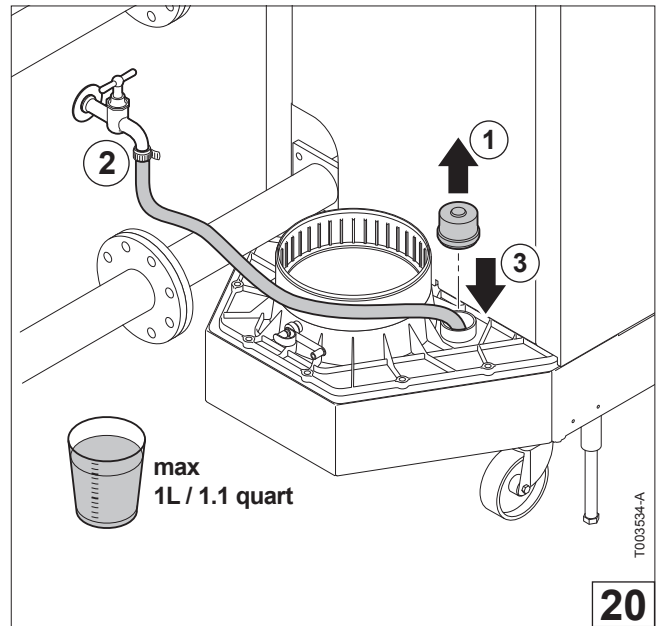
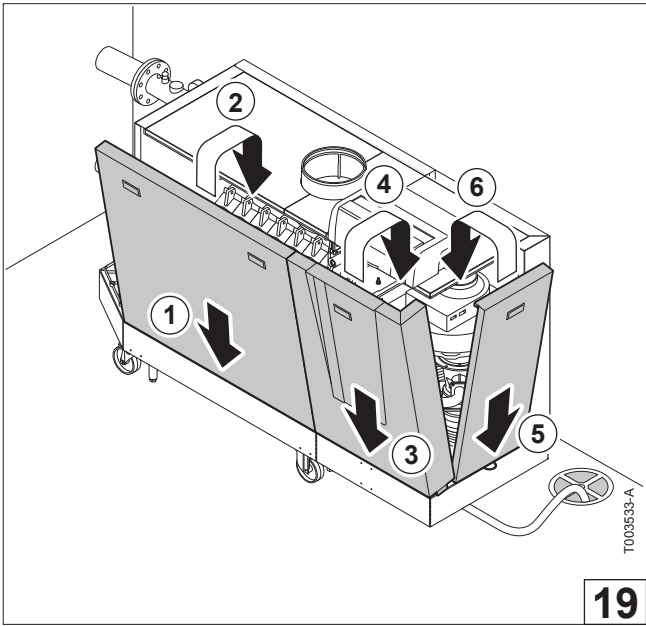
ES ATENCIÓN: No cargar lateralmente las calderas si se han desenroscado los pernos de ajuste.

IT ATTENZIONE: Non caricare le caldaie lateralmente quando i bulloni di regolazione sono svitati.



13







© Copyright

All technical and technological information contained in these technical instructions, as well as any drawings and technical descriptions supplied, remain our property and shall not be multiplied without our prior consent in writing.

Ours is a policy of continuous development. We reserve the right to alter specifications without prior notification.

Subject to alterations.

125486 - 160311



125486